



Thank you for choosing Better Bathrooms.
Please read this manual before installing your product
and keep for future reference.

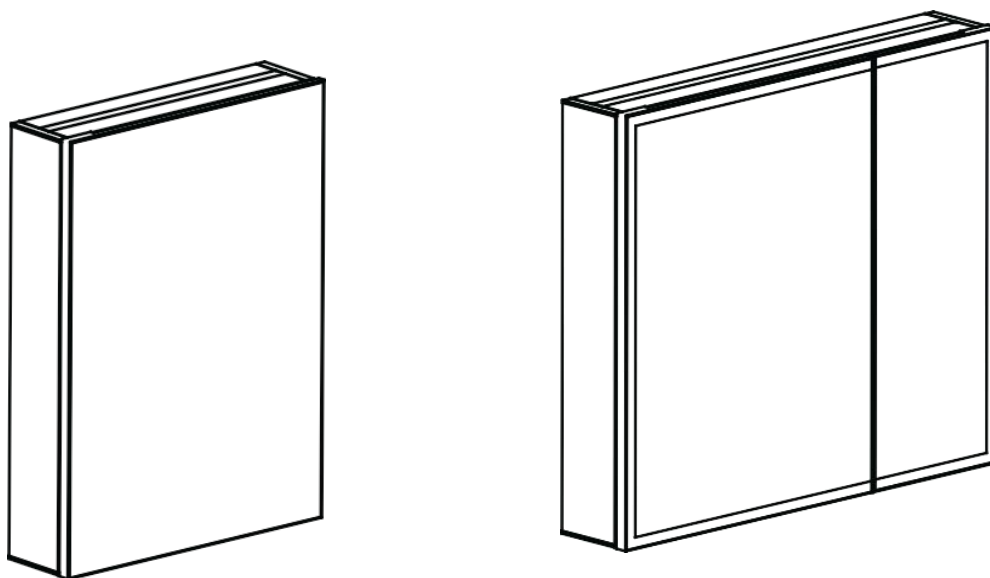
better 
bathrooms

Double Door Storage Feature Mirror Cabinet

750x700mm

Single Door Storage Feature Mirror Cabinet

500x700mm



CELC500 CELC750

- INFRARED SENSOR
- IP44 INGRESS PROTECTION

CONGRATULATIONS ON YOUR PURCHASE

Our aim at Better Bathrooms is to bring you extraordinary bathroom products for less.

If you're after a modern, traditional, or totally unique bathroom style, we have the fittings and fixtures to bring your ideas to life so you can fall in love with your space every day.

We hope your new product goes above and beyond your expectations. However, should any problems occur, please:

- Log in to your account and contact our customer services team via your self-service portal – betterbathrooms.com/CustomAccount/Login
- Contact us via betterbathrooms.com/contact/contact-us

CONTENTS

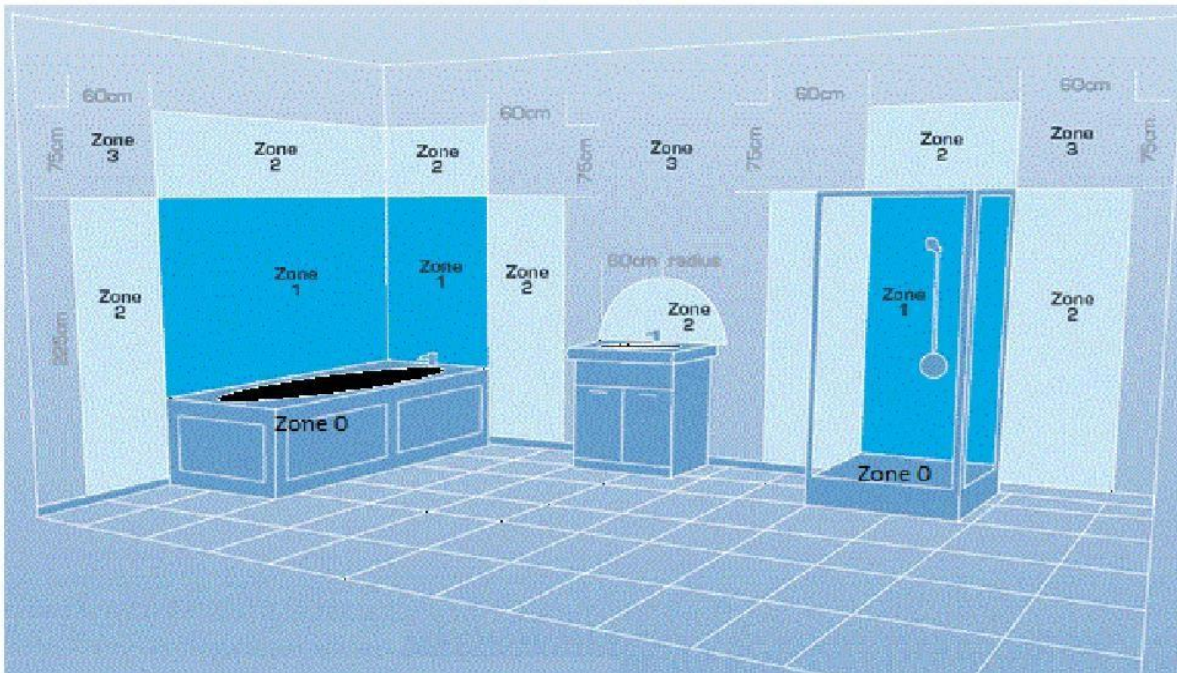
SAFETY	3
BATHROOM ZONES	4
PARTS SUPPLIED	5
TOOLS REQUIRED	5
DIMENSIONS	6
INSTALLATION	8
OPERATION	10
SHAVER SOCKET	10
CLEANING AND MAINTENANCE	10
TECHNICAL SPECIFICATIONS	11

SAFETY

- This cabinet should be installed by a qualified electrician.
- This fitting is only suitable for connection to a 220- 240V~ earthed supply in accordance with current IEE wiring regulations and should be installed in accordance with local Building Regulations.
- This is for domestic, indoor use only.
- The fitting should be connected to a dedicated lighting circuit, which must be protected by a 5-amp fuse (or a 6-amp miniature circuit breaker).
- The electrical connection must be an adequate distance from the rear of the cabinet to prevent the risk of shorting with the cabinet's casing.
- Before installing the fitting, ensure the mains supply is switched off and that the appropriate fuse is removed (or the appropriate circuit breaker is switched off) before commencing installation. Ensure that measures are taken to prevent the supply from being inadvertently reconnected.
- If there is a "Minimum Distance" Label, please do not allow Flammable Materials to rest within that distance from the unit.
- This product may contain delicate parts – be careful during handling and maintenance to avoid breakage.
- Ensure the cover for the shaver socket is closed when not in use to prevent moisture from entering it.
- Only connect items designed to be used with a shaver socket (such as shavers or electric toothbrushes).
- The shaver socket is not earthed and provides 230V at a maximum current of 80mA. Do not connect devices which require a higher current, a different voltage, or an earth connection.
- Any modification to the fitting will invalidate the warranty and may render the product unsafe.
- A defective appliance may cause an electric shock. Never switch on a defective or damaged appliance. Disconnect the appliance from the mains before seeking assistance.
- This product is IP44 rated, and no part of the installation is allowed to be within bathroom Zones 0 or 1. Installation is permitted within Zone 2.
- This product must be earthed. Before commencing installation, ensure that there are no pipes or wires located behind the wall that may be damaged during drilling.
- Ensure that the hanging location has been decided upon and marked clearly to avoid unwanted damage to the wall due to incorrect positioning.
- Inspect the cabinet to ensure there are no signs of damage prior to installation.
- Take care of unpacking, and do not use a sharp blade to open it, as this may damage the mirror and void your warranty.
- Installation must only be carried out by a qualified professional or electrician.
- Once installed, silicone can be applied between the cabinet and the wall around the unit. Don't seal the bottom of the cabinet, as this may allow water to accumulate behind it.
- If the external flexible cable or cord of this luminaire is damaged, it shall be exclusively replaced by the manufacturer, its service agent or a similarly qualified person in order to avoid a hazard.
- To reduce the risk of strangulation, the flexible wiring connected to this luminaire shall be effectively fixed to the wall if the wiring is within arm's reach.
- The light source of this luminaire must only be replaced by the manufacturer, its service agent or a similarly qualified person.


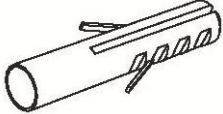

BATHROOM ZONES

If the appliance is to be fitted within a bathroom, a good understanding of the zoning within bathrooms is required to ensure the unit is mounted in a safe position. The appliance is rated as IPX4 and should be installed outside of Zones 0 -2. We would advise that when the unit is fitted within a bathroom, the plug is removed from the unit, and a suitable fused spur is installed in accordance with BS 7671. In addition, when used in a bathroom, it must be protected by a suitable RCD to prevent the risk of electric shock, and it must not be immersed in water during cleaning.



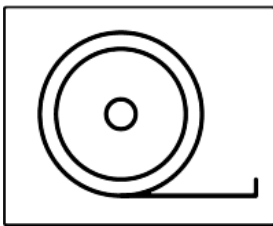
Zone 0:	The interior of the bathtub or shower basin.
Zone 1:	The area around the bathtub or shower basin up to a height of 2.25m above the floor.
Zone 2:	The area stretching to 0.6m outside the bath or shower and above the bath or shower if over 2.25m.

PARTS SUPPLIED

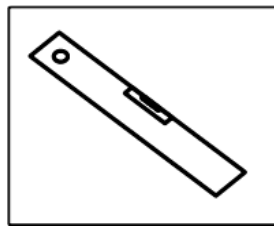
		
<p>SCREW M5 CELC500: 4 PCS CELC750: 5 PCS</p>	<p>WALL PLUGS CELC500: 4 PCS CELC750: 5 PCS</p>	<p>ALUMINIUM MOUNTING BAR (x1)</p>

PLEASE NOTE: It is the installer's responsibility to ensure that the fittings are suitable for the type of wall. The parts provided are only suitable for masonry walls. Alternative fixings may be required for other wall types and are not included. If unsure, professional advice should be sought.

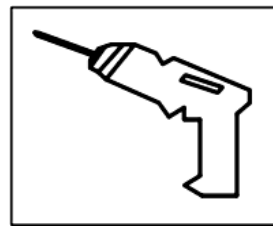
TOOLS REQUIRED (not supplied)



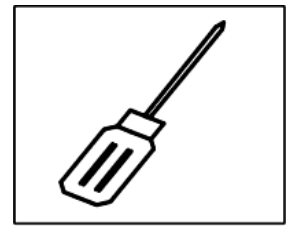
TAPE MEASURE



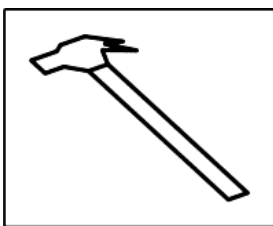
SPIRIT LEVEL



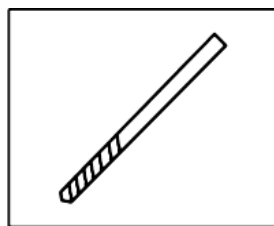
ELECTRIC DRILL



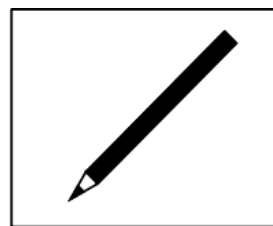
SCREWDRIVER



HAMMER



8mm DRILL BIT

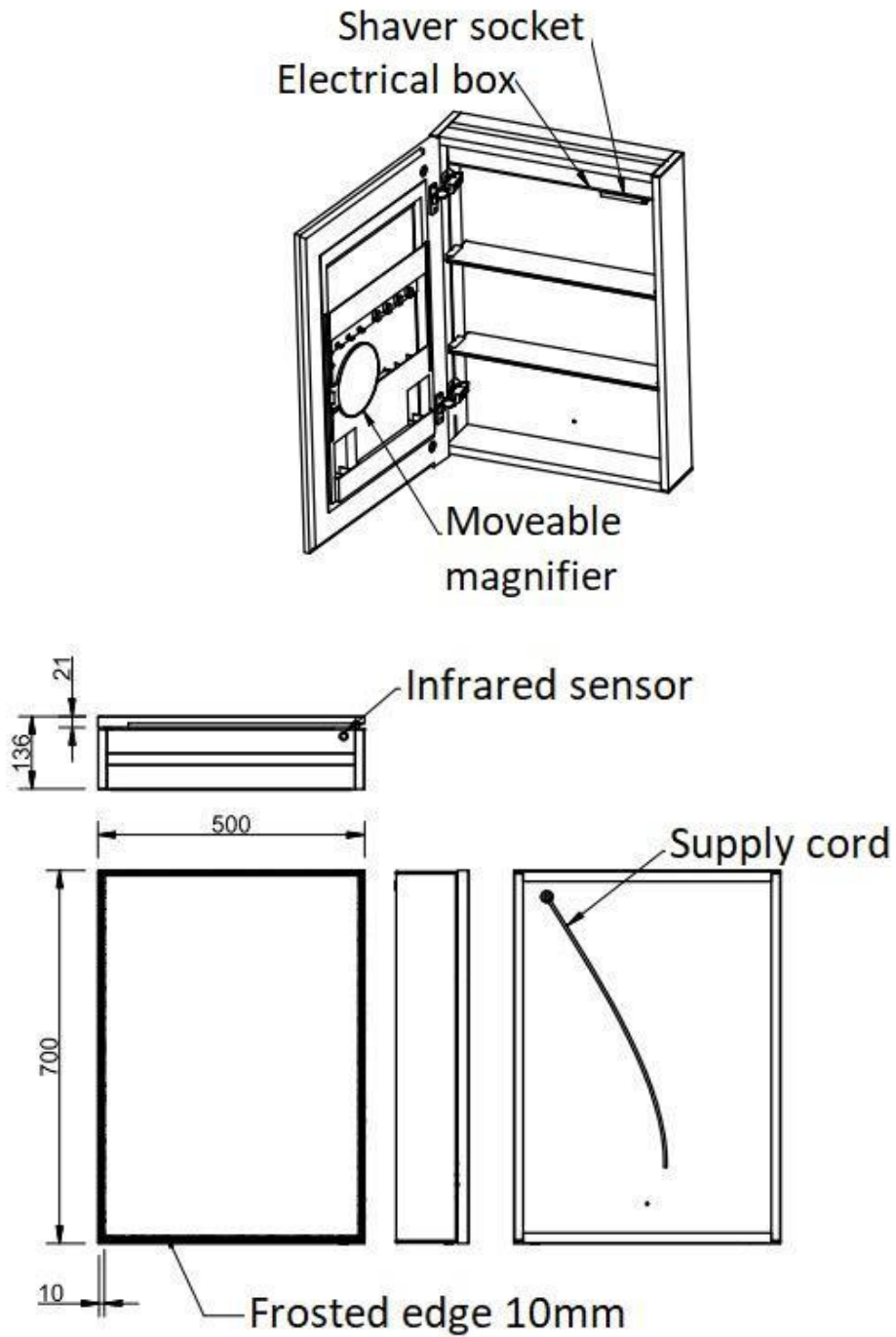


PENCIL

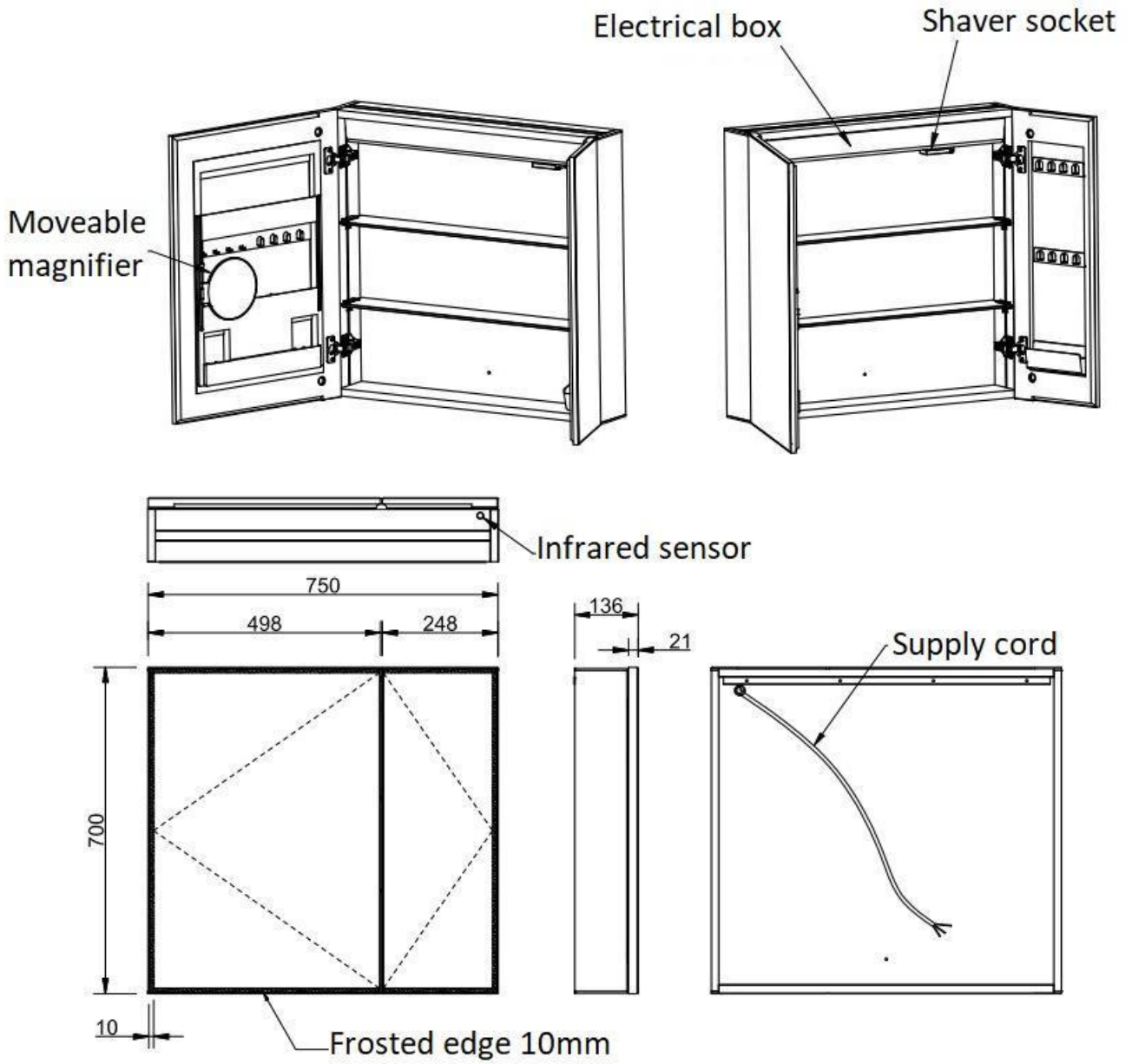
DIMENSIONS

NOTE: All diagrams are for illustrative purposes. All dimensions are in mm.

CELC500



CELC750



Dimensions Tolerance

Dimension Size	Tolerance Value
Up to 120 mm (4.72 in)	±1.27 mm (±0.05 in)
Over 120 mm (4.72 in)	±2.54 mm (±0.1 in)
Angles	±1°

INSTALLATION

The cabinet is supplied with an aluminium mounting bar for secure wall installation. A matching bar is fitted to the rear of the cabinet and is designed to slot precisely onto the wall-mounted bar.

IMPORTANT INFORMATION

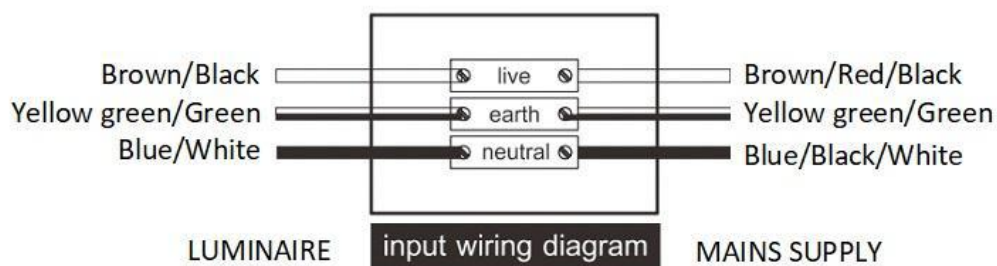
- Before commencing installation, ensure that there are no pipes or wires located behind the wall that you will be drilling into. The depth of the holes required for hanging is approximately 50mm.
- **NOTE:** When selecting the installation location, ensure the sensor on the right underside of the mirror is at least 20 cm clear of any nearby surfaces. This allows the sensor to operate correctly.
- The power must be disconnected when installing and performing any maintenance.
- Ensure that the hanging location has been decided upon and marked clearly to avoid unwanted damage to the wall due to incorrect positioning.
- Check that the mirror is not damaged prior to installation.
- Take care of unpacking, and do not use a sharp blade to open it, as this may damage the mirror and void your warranty.

INSTALLATION STEPS

1. Choose the desired position of the cabinet, and from that determine the required position of the hanging brackets.
2. Position the aluminium mounting bar against the wall. Use a spirit level to ensure it is perfectly level.
3. Using a pencil, mark the positions of the pre-drilled fixing holes in the aluminium mounting bar onto the wall.
4. Insert the wall plugs into the drilled holes, ensuring they sit flush with the wall surface.
5. Secure the aluminium mounting bar to the wall using the supplied screws. Use a spirit level to ensure it is perfectly level.



6. Hang the mirrored cabinet onto the wall. Carefully lower the cabinet so that the rear mounting bar fully engages with the aluminium mounting bar. Ensure the cabinet is stable and will not slide.
7. Open the cabinet door and mark the position of the security screw hole. This is located at the lower section of the cabinet.
8. Carefully remove the cabinet, drill the marked hole, and insert a wall plug for the security screw.
9. Rehang the cabinet onto the aluminium mounting bar, ensuring it is correctly seated and stable.
10. The mirror must be hardwired by a qualified electrician. Ensure sufficient cable length is left to allow safe removal of the cabinet for maintenance or servicing. All connections must be made in strict accordance with the wiring diagram.

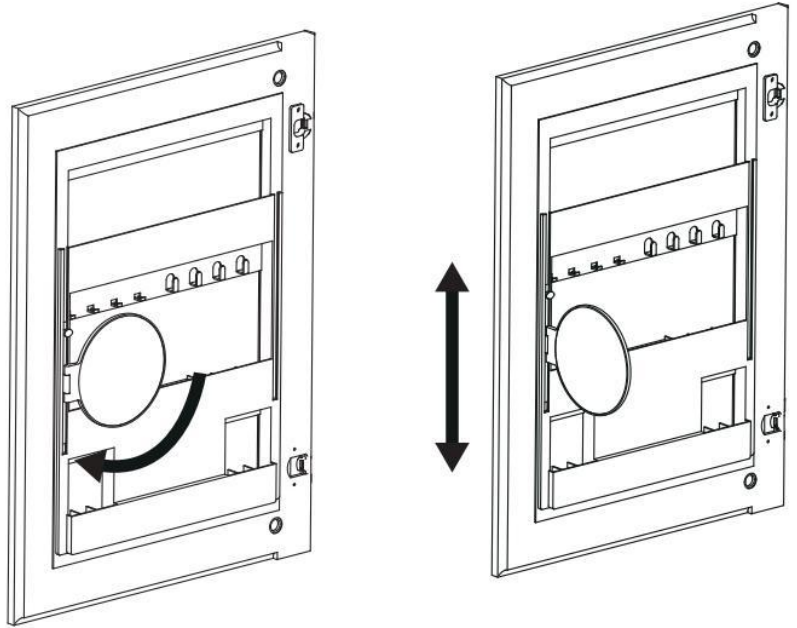


11. Secure the cabinet to the wall by inserting the supplied screw through the security hole and into the wall plug previously fitted.

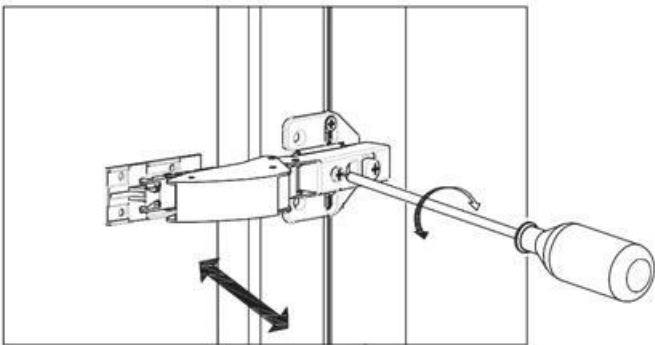
MAGNIFIER USAGE INSTRUCTION

Pull the magnifier outwards to unfold it.

Move the slider up and down along the track to adjust the height of the magnifier.

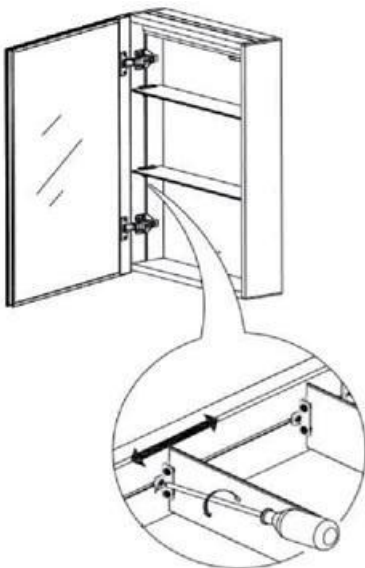


MIRROR DOOR ADJUSTMENT



If the door is not level, you can adjust it using the hinge screw. Turn the screw clockwise to move the door to the right, and turn it anticlockwise to move it to the left.

SHELF ADJUSTMENT



Loosen the snap screw on the shelf to adjust its position.

Once the shelf is correctly positioned and level, retighten the screw.

OPERATION

Turning On/Off: Wave your hand across the sensor on the right underside of the mirror, approximately 5 cm away, to turn the light on. Move your hand across the sensor again to turn it off.

Adjusting the Height of the Moveable Magnifier: The magnifier is fitted to a vertical mounting rail inside the cabinet. A small slider tab is provided on the mounting rail and is intended to be used when adjusting the magnifier.

To change the height, gently move the slider tab up or down along the rail. This will raise or lower the magnifier to the desired position.

Do not adjust the magnifier by holding the mirror directly, as this may cause damage. Always use the slider tab.

SHAVER SOCKET

SHAVERS



Your mirror comes with a shaver socket on the inside. This socket is intended only for use with shavers and other low-voltage devices designed to be powered by a shaver socket.

Once the mirror is connected to the mains, the shaver socket is ready to use.

ONLY

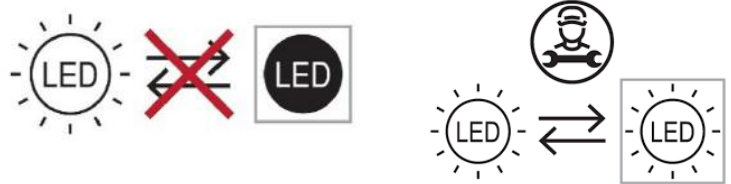
CLEANING AND MAINTENANCE

Never use products containing bleach or abrasive cleaners, as this will harm the product's appearance and lifespan. Use a clean microfibre cloth to clean the mirror.

TECHNICAL SPECIFICATION

Model	CELC750	CELC500
WxHxD (mm)	750x700x136	500x700x136
Net Weight (Kg)	15.6	11
Power Cord length (cm)	95	80
Rated Power (W)	32	23
IP Rating	IP44	IP44
Input	220-240V 50Hz	220-240V 50Hz

This product contains a light source of energy efficiency class F and must only be replaced by the manufacturer, its service agent or a similarly qualified person.



DISPOSAL



Recycling facilities are now available for all customers at which you can deposit your old electrical products. Customers will be able to take any old electrical equipment to participating sites run by their local councils.

■ Please remember that this equipment will be further handled during the recycling process, so please be considerate when depositing your equipment. Please get in touch with the local council for details of your local household waste recycling centres.

At the time of printing the product contains no substances listed within Annex XIV of the Reach Regulations (EC) 1907/2006. In accordance with Article 59 of the same regulation, the following substances are contained within the product at permitted levels: Cadmium.

As a responsible manufacturer, we monitor the regulations to ensure continued compliance. Further information can be provided upon request.

For more information

- visit betterbathrooms.com
- email Support@Betterbathrooms.com
- call 0330 390 3062
- write to Trident Business Park, Neptune Way, Huddersfield, HD2 1UA

**better
bathrooms**

Part of the BuyItDirect Group